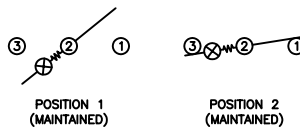


**SCHEMATIC**



**SPECIFICATIONS**

**FUNCTION:**  
1P1T OFF-ON

**RATINGS:**  
20A 125VAC [cURus]  
16A 250VAC [cURus]  
1/3HP 125/250VAC [cURus]  
3/4HP 125/250VAC [cURus]

EN 61058-1:2002 and DIN/VDE 0630:2003-03 (40017440):  
16(4)A 250V~ 1E4 μ T85/55 [ENEC10, VDE]  
20(8)A 250V~ 1E4 μ T125/55 [ENEC10, VDE]  
10(2)A 250V~ 5E4 μ T85/55 [ENEC10, VDE]

**ILLUMINATION VOLTAGE:**  
125V

**CONTACT RESISTANCE:**  
Initial: 20mΩ Max.

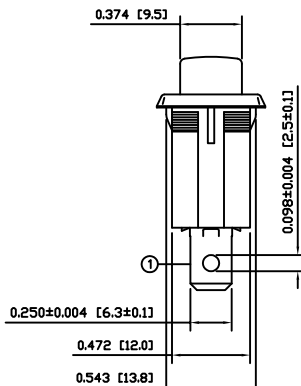
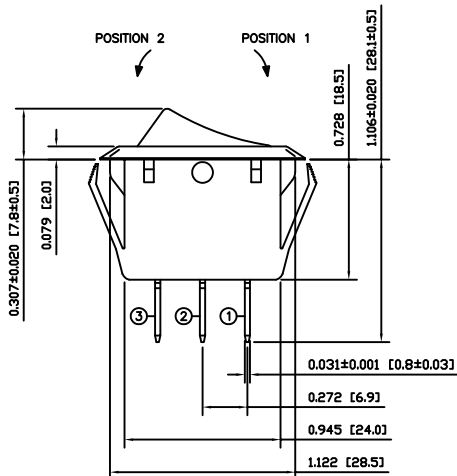
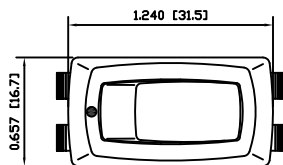
**INSULATION RESISTANCE:**  
100MΩ Min. at 500VDC

**DIELECTRIC STRENGTH:**  
1,000VAC for 1 Minute

**ELECTRICAL LIFE:**  
6,000 Cycles [cURus]  
10,000 Cycles [ENEC10, VDE: 16(4)A 250V~]  
50,000 Cycles [ENEC10, VDE: 10(2)A 250V~]

**TEMPERATURE:**  
Operating: -20°C to 105°C [cURus]  
Operating: 0°C to 85°C [ENEC10, VDE: 16(4)A 250V~]  
Operating: 0°C to 125°C [ENEC10, VDE: 20(8)A 250V~]

**APPROVALS:**



**COLORS AND MARKINGS**

**BODY:**  
Black

**ACTUATOR:**  
Transparent Red

**MARKINGS:**  
Dot on Bezel (Z33)

**MARKING COLOR:**  
White

**MATERIALS**

**BODY:**  
Polyamide 6/6 (PA66), UL94 V-2

**ACTUATOR:**  
Polycarbonate (PC), UL94 V-2

**LAMP CARRIER:**  
Polyamide 6/6 (PA66), UL94 V-2

**LAMP:**  
Neon Bulb

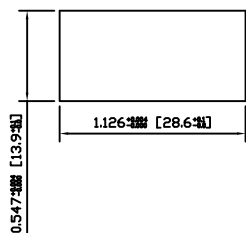
**LAMP SPRING:**  
Steel

**SPRING:**  
Steel

**CONTACTS:**  
Silver Plated Copper

**TERMINALS:**  
Silver Plated Copper  
Silver Plated Brass

**SUGGESTED PANEL CUTOUT**



|                |      |          |     |
|----------------|------|----------|-----|
| ACTUATOR       | A    | 09/08/13 | CAB |
| BODY           | B    | 10/05/10 | CAB |
| COLORS         | A    | 10/04/06 | CAB |
| MATERIALS      | A    | 09/08/13 | CAB |
| SPECIFICATIONS | B    | 10/01/27 | CAB |
| REFERENCE      | REV. | DATE     | BY  |

THE INFORMATION CONTAINED IN THIS DOCUMENT IS PROPRIETARY TO E-SWITCH AND IS NOT TO BE COPIED OR TRANSFERRED

|      |   |       |          |          |
|------|---|-------|----------|----------|
| C    | UPDATED RATING ADDING 1/3HP 125/250VAC  | 23174 | 01/19/18 | MJR      |
| B    | IMPROVED UL TEMPERATURE RATING TO 105°C | 19655 | 02/04/11 | CAB      |
| A    | INITIAL RELEASE                         | 19002 | 04/06/10 | CAB      |
| REV. | DESCRIPTION                             | PCR   | DATE     | DRAWN BY |

|                      |            |
|----------------------|------------|
| DIMENSIONS           |            |
| INCHES [MILLIMETERS] |            |
| GENERAL TOLERANCES   |            |
| ±0.008 [±0.2] / ±1'  |            |
| SCALE                | PROJECTION |
| DRAWING NOT TO SCALE | 1:1        |

|                          |               |          |  |
|--------------------------|---------------|----------|--|
|                          |               |          |  |
| <b>RSC191D102Z33-116</b> |               |          |  |
| ITEM NUMBER              | DATE          | REVISION |  |
| 14-RSCS00172             | APRIL 6, 2010 | C        |  |